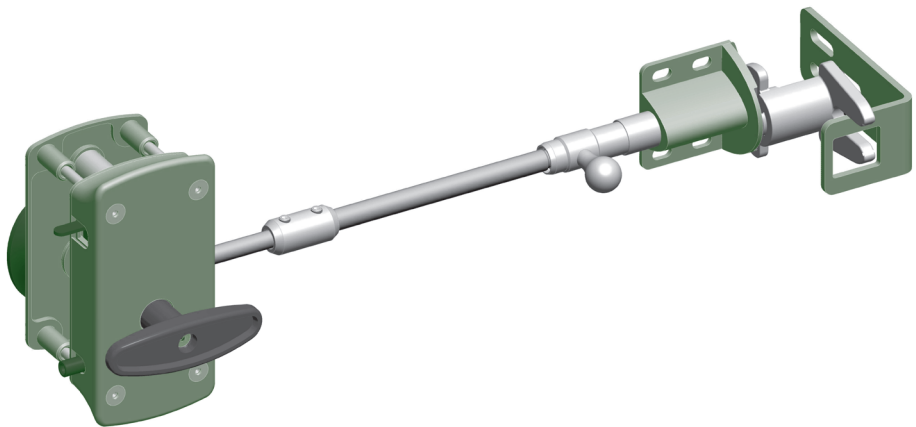


KEY LOCK OPERATING MANUAL

GARAGE SECTIONAL DOORS

(art. RLG01)



1. Door closing

1.1 Outside closing

For outside closing it is necessary to:

- Put down completely door leaf;
- Insert a key in cylinder mechanism. Turn the key, close the key lock;
- Take out the key.

1.2 Inside closing

For inside closing it is necessary to:

- Put down completely door leaf;
- Push the catch lock, move it down. With that the handles are blocked. The doors are closed.

2. Door opening

2.1 Outside opening

For outside opening it is necessary to:

- Insert a key in the cylinder mechanism of locking device;
- Turn the key, unlock handles;
- Turn the outside handle and holding the turned handle start leaf door lifting;
- After door lifting at 5-10 cm it is allowed to put down the handle;
- Using lifting handles fixed on the leaf continuer door lifting.

2.2 Inside opening

For inside opening it is necessary to:

- Push the catch lock, move it up;
- Turning and holding inside handle start the leaf door lifting;
- After door lifting at 5-10cm it is allowed to put down the handle;
- Using lifting handles fixed on the leaf continuer door lifting.

3. Locking device application on the doors with electric drive

3.1 Rack and gear drive using

By rack and gear drive using door closing is done by electric drive itself. Electric drive switching on can result in a damage of door and electric drive devices and details. In this case locking device can be used only as an add-on safety device.

It is recommended to change over the locking device to permanent opened state. For this it is necessary to extract a spring loaded finger (1) from the case and turn it till lug (2) entry in one of the side grooves of the case (fig.1). Check free running of interlocking disk (3) at any position of key lock handle. The pass of locking device from permanent opened state to working state is done by finger (1) turn till it entry in central groove of the case.

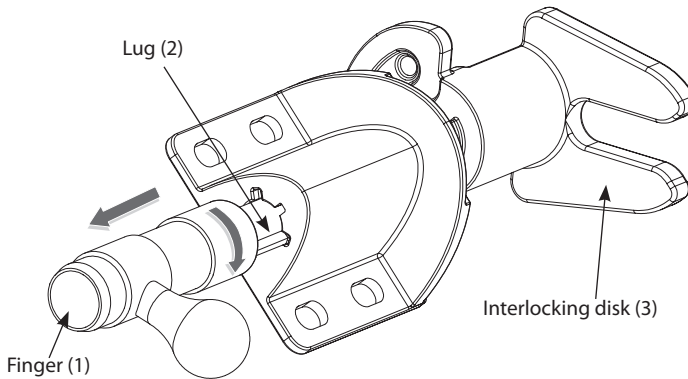


Fig.1

3.2 Installation of external unblocking device of the electric drive

When door installation in the garage without additional entrance, the external unblocking device of the electric drive should be added to locking device, permitting to open by hand the door outside when current interruption.

The electric drive unblocking is done by turn of inner or outdoor handle of locking device.

DOOR SYSTEMS

Door Systems Vertriebs GmbH

Hinterstraße 15
D-65620 Waldbrunn

Tel.: +49 6479 758 9991

Mail: team@door-systems.de

Web: www.door-systems.de